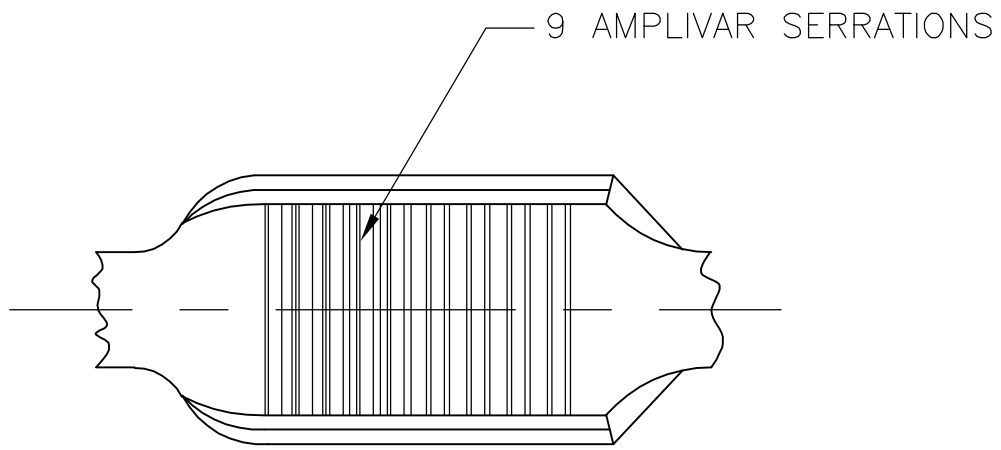
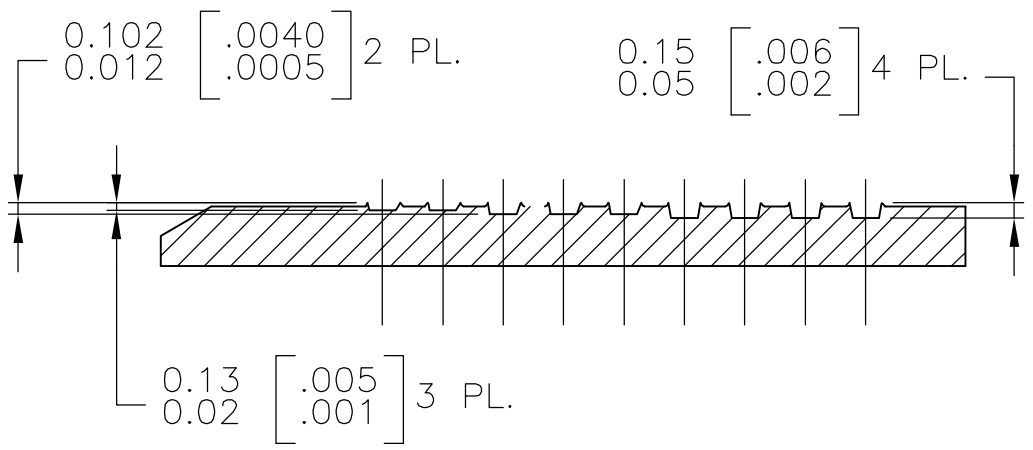
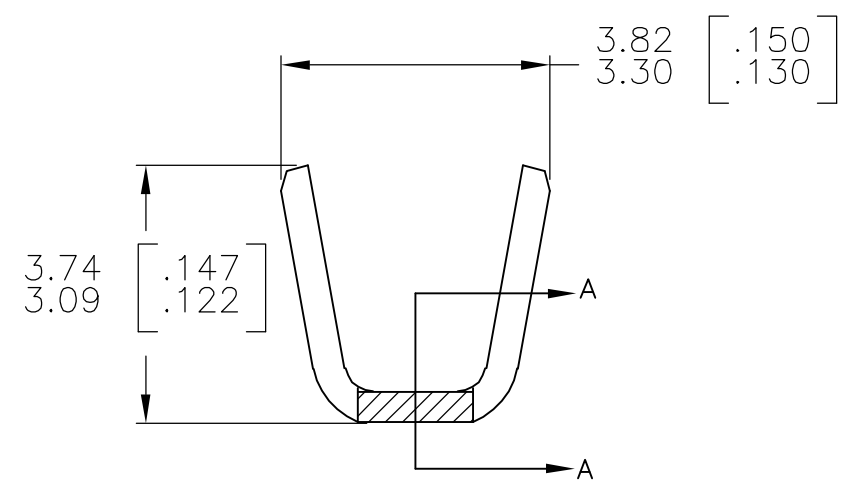
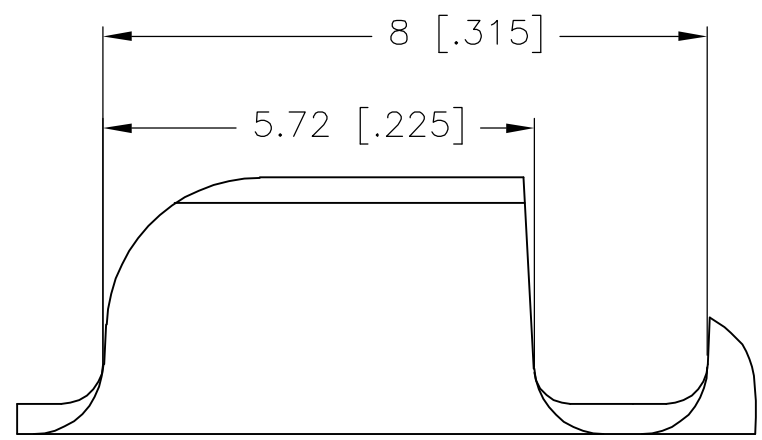


THIS DRAWING IS UNPUBLISHED. RELEASED FOR PUBLICATION
 © COPYRIGHT BY TYCO ELECTRONICS CORPORATION. ALL RIGHTS RESERVED.

LOC	DIST	REVISIONS					
AF	50	P	LTR	DESCRIPTION	DATE	DWN	APVD
			D1	ECR-06-003925 (REDRAWN IN AUTOCAD)	30JAN06	HMR	GDP



- PRODUCT PROVIDED IN STRIP FORM ON REELS; BREAKS MAY BE PRESENT.
- FOR FOREIGN USE ONLY
- DIMENSIONS IN BRACKETS ARE IN INCHES.
- CRIMP WIDTH: .110 F (AMPLIVAR TYPE)
 CRIMP HEIGHT (±.002)=(TOTAL CMA +7730)/188,900
 GENERAL APPLICATION GUIDELINES MUST BE FOLLOWED AS SPECIFIED IN CATALOG # 82221
 FOR APPLICATOR INFORMATION CALL: 1-800-722-1111
 FOR PRODUCT INFORMATION CALL: 1-800-522-6752



TIN PL.	62305-2
$\triangle 2$	62305-1
FINISH	PART NO.

SECTION A-A
 SCALE : 20:1

METRIC

THIS DRAWING IS A CONTROLLED DOCUMENT.		DWN RAGHAVENDRA 30JAN06	tyco Tyco Electronics Corporation Harrisburg, PA 17105-3608	
DIMENSIONS: mm [INCHES]		CHK G.D.PORTA	APVD G.D.PORTA	
TOLERANCES UNLESS OTHERWISE SPECIFIED:		PRODUCT SPEC	NAME SPLICE, AMPLIVAR 600-3000 CMA	
0 PLC ± -		APPLICATION SPEC	SIZE	CAGE CODE
1 PLC ± -		114-2003	A3	00779
2 PLC ± 0.38 [.015]		WEIGHT	DRAWING NO	RESTRICTED TO
3 PLC ± -		-	C-62305	-
4 PLC ± -		CUSTOMER DRAWING	SCALE	SHEET
4 PLC ANGLES ± 1°			10:1	1 OF 1
MATERIAL 0.41 [.016] BRASS	FINISH SEE TABLE			REV D1